

TUNG-SOL

CATHODE RAY

COATED UNIPOTENTIAL CATHODE

HEATER

6.3 VOLTS 0.6 AMP.

AC OR DC

ANY MOUNTING POSITION

GLASS BULB

SMALL SHELL DUODECAL 5 PIN BASE

THE 16JP4A IS A MAGNETIC FOCUS AND MAGNETIC DEFLECTION DIRECT VIEW PICTURE TUBE FOR TELEVISION RECEIVERS. IT HAS A HIGH QUALITY GREY NEUTRAL-DENSITY FACEPLATE FOR INCREASED PICTURE CONTRAST AND DETAIL UNDER HIGH AMBIENT LIGHT CONDITIONS. THE ELECTRON GUN IS DESIGNED TO BE USED WITH AN EXTERNAL ION-TRAP MAGNET.

DESCRIPTION

FLUORESCENCE AND PHOSPHORESCENCE	WHITE
PERSISTENCE	MEDIUM
DEFLECTING AND FOCUSING METHOD	MAGNETIC
DEFLECTION ANGLE (APPROX.)	60 DEGREES
ION TRAP	MAGNETIC
BULB CONTACT	RECESSED SMALL CAVITY CAP

DIRECT INTERELECTRODE CAPACITANCES - APPROX.

GRID #1 TO ALL OTHER ELECTRODES	6.5	μf
CATHODE TO ALL OTHER ELECTRODES	5	μf

RATINGS

INTERPRETED ACCORDING TO RMA STANDARD M8-210

HEATER VOLTAGE	6.3	VOLTS
HEATER CURRENT	0.6	AMP.
MAXIMUM ANODE VOLTAGE	14 000	VOLTS
MAXIMUM GRID #2 VOLTAGE	410	VOLTS
MAXIMUM GRID #1 VOLTAGE:		
NEGATIVE BIAS VOLTAGE	125	VOLTS
POSITIVE BIAS VOLTAGE	0	VOLTS
POSITIVE PEAK VOLTAGE	2	VOLTS
PEAK HEATER-CATHODE VOLTAGE:		
HEATER NEGATIVE WITH RESPECT TO CATHODE:		
DURING EQUIPMENT WARM-UP PERIOD	410	VOLTS
NOT EXCEEDING 15 SECONDS	125	VOLTS
AFTER EQUIPMENT WARM-UP PERIOD	125	VOLTS
HEATER POSITIVE WITH RESPECT TO CATHODE	125	VOLTS
MAXIMUM GRID #1 CIRCUIT RESISTANCE	1.5	MEG OHMS

CONTINUED ON FOLLOWING PAGE

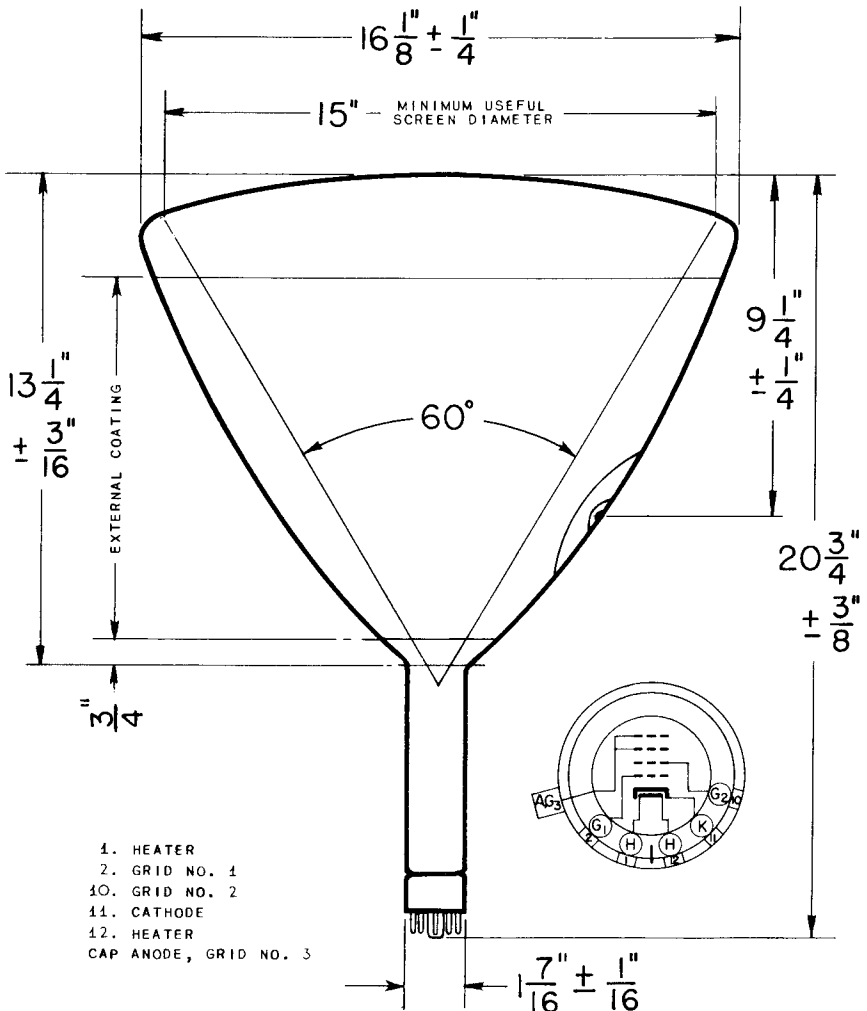
TUNG-SOL

CONTINUED FROM PRECEDING PAGE

TYPICAL OPERATING CONDITIONS AND CHARACTERISTICS

ANODE VOLTAGE	11 000	VOLTS
GRID #2 VOLTAGE	250	VOLTS
GRID #1 VOLTAGE (FOR VISUAL EXTINCTION OF UNDEFLECTED FOCUSED SPOT)	-27 TO -63	VOLTS
FOCUSING COIL CURRENT (APPROX.)	115	MA.
ION TRAP MAGNET CURRENT (APPROX.)	120	MA.
SPOT CENTERING (MAX.)	35	MM.

SIMILAR TYPE REFERENCE: The 16JP4A is identical to the 16JP4 except for the grey filter faceplate.



- 1. HEATER
- 2. GRID NO. 1
- 10. GRID NO. 2
- 11. CATHODE
- 12. HEATER CAP ANODE, GRID NO. 3

PLATE
2364
MAR. 1
1950